

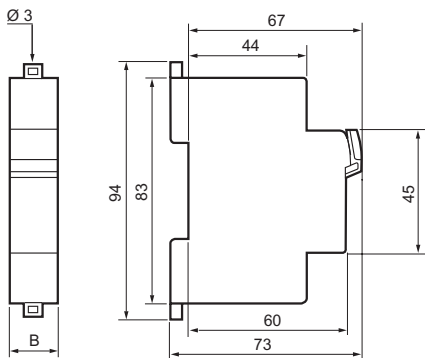
1. PRINCIPLE

Modular fuse carrier for protection and switching of electrical circuits

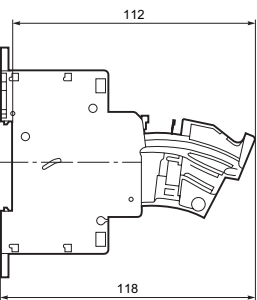
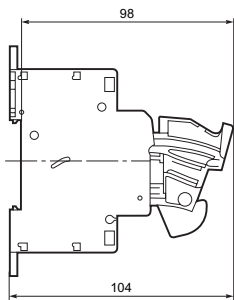
2. RANGE

Single-pole, single-pole + neutral, 2-pole, 3-pole, 3-pole + neutral

3. DIMENSIONS (mm)



	1 P	1 P + N	2 P	3 P	3 P + N
B	17.7	17.7	35.5	53.4	71.2



4. ELECTRICAL CHARACTERISTICS

Breaking capacity: industrial cylindrical cartridge fuses

Size mm	8.5 x 31.5	10 x 38
Type	gG or aM With or without indicator	gG or aM With or without indicator
Voltage	400 V _~	500 V _~
ISC	20 kA	100 kA

Max. fuse cartridge rating depending on the voltage

	400 V	500 V
10 x 38	aM 25 A	gG 25 A - aM 16 A
8.5 x 31.5	gG 16 A - aM 10 A	

Max. dissipated power per pole

	1 P	1 P + N
Cartridge 8.5 x 31.5	0.3 W	0.8 W
Cartridge 10 x 38	0.5 W	1.5 W

Nominal frequency	50/60 Hz
Overvoltage level	6 kV
Dielectric strength	4 kV (50 Hz)
Degree of pollution	3

5. CONFORMITY

Conforms to standards IEC 269.1, 269.2, 269.2-1 and to standard NF C 63-210
AC 20 isolators according to IEC 947.3

6. MECHANICAL CHARACTERISTICS

Environmental conditions

Operating temperature: - 5 °C to + 40 °C
Storage temperature: - 10 °C to + 70 °C

Mechanical resistance: IPxx3

Materials

Casing	Reinforced polyethylene	Density	1.62 to 1.70
		Max. tensile stress	> 100 MPa
		Bending module	> 9.50 GPa
		Incandescent wire	960 °C/5 s
		Oxygen index	> 30
		Colour	grey RAL 7035
Screws	Zinc bichromate finish steel		
Contacts	Silver-plated copper		

7. INSTALLATION

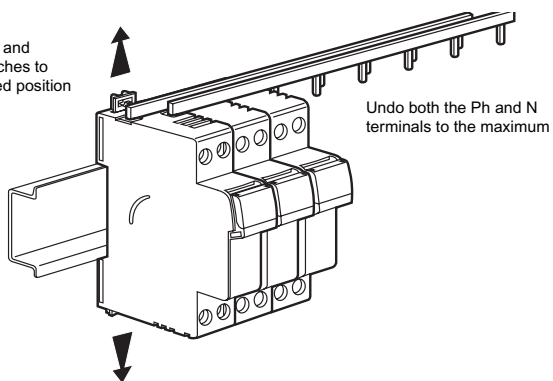
- Fixing:
- On symmetrical rail EN 50.022
- With $\varnothing 3$ screws on plate using ends of released claws
- Supply via the top and the bottom
- Operating position: vertical
- Connection

	1 P + N	1P/2P/3P/3P+N
Conductors permitted		
- Flexible with end caps	1.5 to 10 mm ²	1.5 to 25 mm ²
- Flexible	1.5 to 10 mm ²	1.5 to 25 mm ²
- Rigid	1.5 to 16 mm ²	1.5 to 25 mm ²
Tools required:		
- Flat blade screwdriver	$\varnothing 4$ to 5.5 mm	$\varnothing 4$ to 5.5 mm
- Posidrive screwdriver	PZ1	PZ2
Tightening torque		
- min.	1.2 Nm	1.8 Nm
- max.	2.8 Nm	3 Nm
- recommended	2 Nm	2.2 Nm

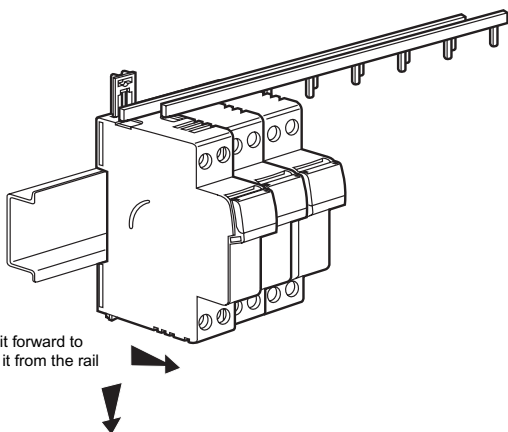
- Protection against direct contact: IP2x
- Cage terminals, with combined Posidrive, releasable and captive screws
- Alignment and spacing of the terminals to allow busbar connection with other products in the range

- Maintained with busbar connection

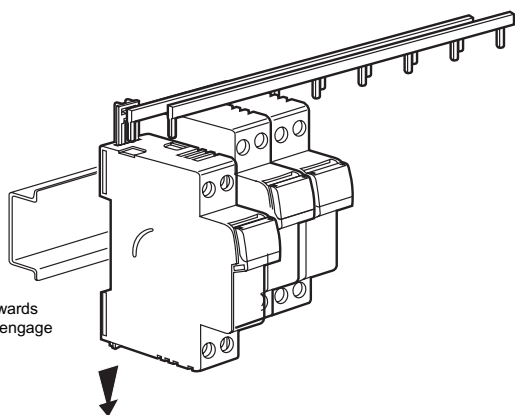
Set the top and bottom catches to the unlocked position



Undo both the Ph and N terminals to the maximum



Pull the unit forward to disengage it from the rail



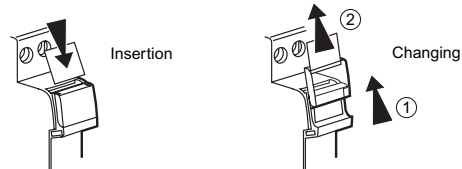
Pull the unit downwards in order to fully disengage the busbar teeth

7. INSTALLATION (continued)

- Labelling:

Circuits labelled on front face:

- with label creation software
- with electronic label printer with keypad
- with pre-printed sheets of symbols

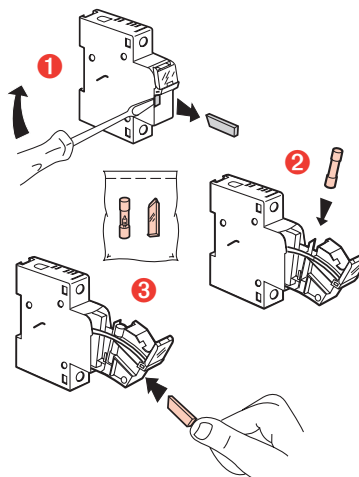


- Wiring accessories

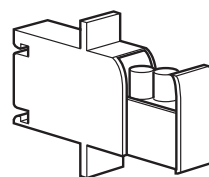
- supply busbars
- incoming terminals

- Miscellaneous accessories

- blow-out indicator 250 V_~ Cat. No. 057 90



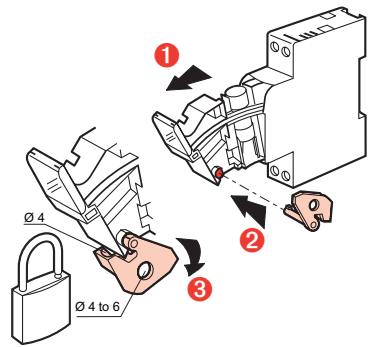
- reserve cartridge holder Cat. No. 057 91



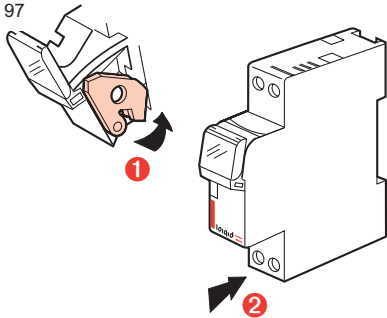
7. INSTALLATION (continued)

- Miscellaneous accessories

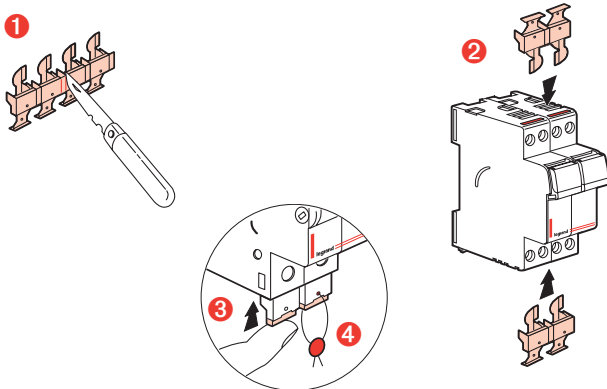
- locking accessory Cat. No. 057 99



padlock Ø 5 mm Cat. No. 044 43
padlock Ø 6 mm Cat. No. 227 97

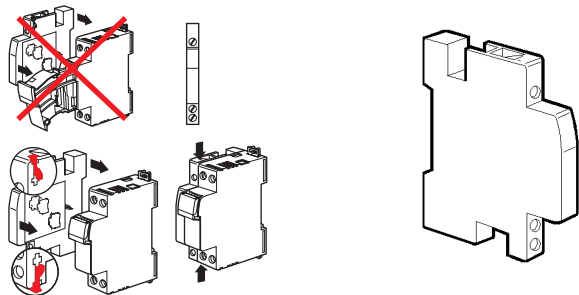


- Lead sealable terminal shield (4 separable poles) Cat. No. 044 44



- Auxiliary device

N/C + N/O auxiliary switch for on/off signalling 250 V (0.5 module)
Cat. No. 05796



7. INSTALLATION (continued)

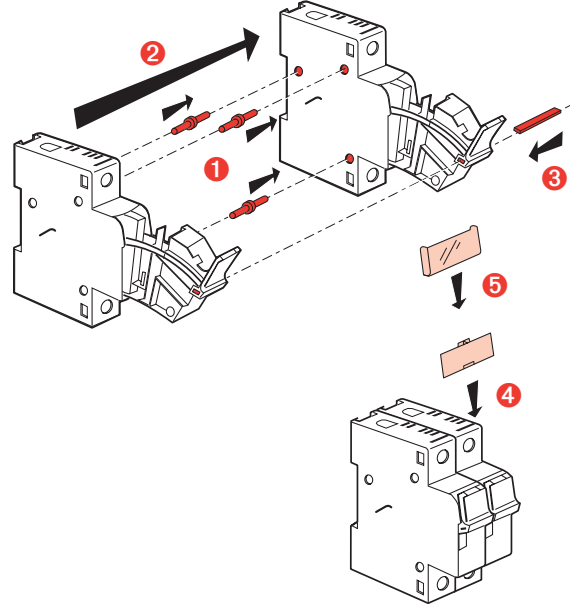
- Miscellaneous accessories

- reinforced joining kit

2-pole Cat. No. 057 92

3-pole Cat. No. 057 93

4-pole Cat. No. 057 94



8. PROTECTION INDEX

- Class 2 □: unit closed, open or being opened

- IP 2x